

- 1. ZrRS seal ring
- 2. Support thrust ring
- 3. Cylindrical rollers
- 4. Outer ring

- 5. Inner ring
- 6. ZrRS seal ring
- 7. Pivot

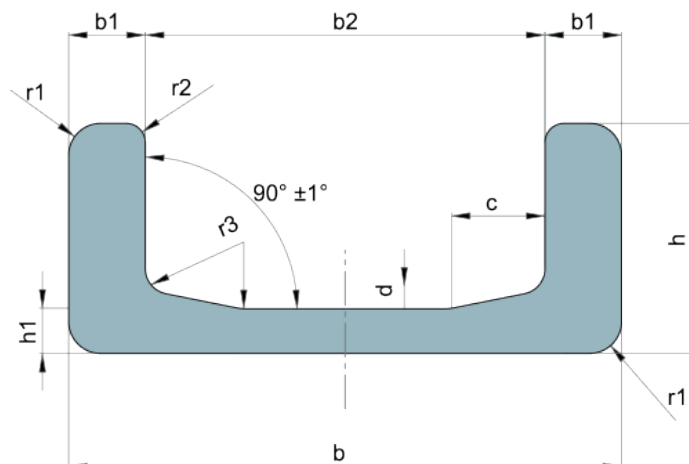
## Technical data Radial bearings with pivot

| Type                     | C  | B   | D     | L    | F  | H    | E   | a   | C<br>kN | Co<br>kN | For profile |
|--------------------------|----|-----|-------|------|----|------|-----|-----|---------|----------|-------------|
| 200-0856<br>(2.0856)     | 25 | 42  | 62    | 23,8 | 20 | 7    | 50  | 20° | 31      | 35,5     | 2890        |
| 200-0363<br>(2.0363)     | 30 | 42  | 62    | 29,5 | 20 | 7    | 50  | 20° | 31      | 35,5     | 2890        |
| 200-0360<br>(2.0360)     | 35 | 48  | 70,1  | 33,5 | 23 | 8,2  | 57  | 20° | 45,5    | 51       | 2867        |
| 900-2102<br>(9.2102)     | 40 | 53  | 78,1  | 32   | 23 | 11   | 61  | 20° | 48      | 56,8     | 2810        |
| 200-0448<br>(2.0448)     | 45 | 59  | 88,9  | 41   | 30 | 13   | 68  | 20° | 68      | 72       | 2811        |
| 200-1641<br>(2.1641)     | 55 | 69  | 107,7 | 35   | 31 | 14   | 82  | 20° | 81      | 95       | 3100        |
| 200-1641/1<br>(2.1641/1) | 60 | 69  | 107,7 | 50,5 | 31 | 14   | 82  | 20° | 81      | 95       | 2862        |
| 200-1642<br>(2.1642)     | 60 | 79  | 123   | 51,5 | 37 | 16,3 | 92  | 20° | 110     | 132      | 2891        |
| 200-1643<br>(2.1643)     | 60 | 103 | 149   | 54   | 43 | 20   | 116 | 15° | 151     | 192      | 2757        |

C = Dynamic load

Co = Static load

Weldable shaft journal made of steel St52 - tolerance -0,05mm

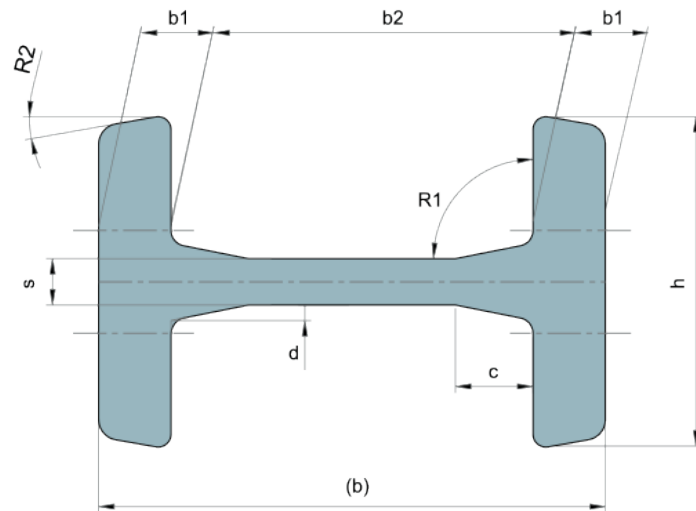


## Technical data Lift guides -U- standard

| Type | (b)   | b1   | Tol. | b2    | Tol. | h    | Tol. | h1   | Tol. | c  | d | r1 | r2  | r3 | Weight<br>kg/m | Wx<br>cm <sup>3</sup> |
|------|-------|------|------|-------|------|------|------|------|------|----|---|----|-----|----|----------------|-----------------------|
| 2890 | 86,5  | 12   | ±0,5 | 62,5  | +1   | 36   | ±0,8 | 7    | ±0,5 | 15 | 3 | ≤6 | 2-3 | 4  | 10,5           | 32                    |
| 2867 | 103,2 | 16,2 | ±0,5 | 70,8  | ±0,5 | 40   | ±0,8 | 7,7  | ±0,5 | 15 | 3 | ≤6 | 2-3 | 5  | 14,8           | 53                    |
| 2810 | 121,3 | 21,3 | ±0,5 | 78,7  | ±0,5 | 41   | ±0,8 | 10,8 | ±0,5 | 15 | 5 | ≤6 | 2-3 | 5  | 20,9           | 81                    |
| 2811 | 135,4 | 23   | ±0,5 | 89,4  | ±0,5 | 53   | ±0,8 | 12,7 | ±0,5 | 15 | 5 | ≤6 | 2-3 | 5  | 28,6           | 128                   |
| 2862 | 157,2 | 24,4 | ±0,5 | 108,4 | ±0,5 | 61,2 | ±0,8 | 14   | ±0,5 | 15 | 5 | ≤6 | 2-3 | 5  | 35,9           | 190                   |
| 2891 | 175   | 25,6 | ±0,5 | 123,8 | ±0,5 | 66,2 | ±0,8 | 16,2 | ±0,5 | 15 | 5 | ≤6 | 2-3 | 5  | 42,9           | 250                   |
| 2757 | 201,5 | 25,7 | ±0,5 | 150,1 | ±0,5 | 71,2 | ±0,8 | 19,4 | ±0,5 | 20 | 5 | ≤8 | 2-3 | 6  | 52,3           | 340                   |

- Profiles can be supplied in any desired length up to a maximum of 6 meters.

- Do not paint, coat, etc. on the inside of the profiles.



## Technical data Lift guides -I- standard

| Type | (b)   | b1 | Tol. | b2    | Tol. | h  | Tol. | h1 | Tol. | c  | d | r1      | r2  | Weight<br>kg/m | Wx<br>cm <sup>3</sup> |
|------|-------|----|------|-------|------|----|------|----|------|----|---|---------|-----|----------------|-----------------------|
| 3100 | 152,4 | 22 | ±0,5 | 108,4 | ±0,5 | 83 | ±1   | 14 | ±0,5 | 20 | 3 | 91° +1° | 12° | 40,8           | 219                   |

- Profiles can be supplied in any desired length up to a maximum of 6 meters.

- Do not paint, coat, etc. on the inside of the profiles.